

IMTRxx/24N/2
4N



connectwell
THE RIGHT CONNECTION

Transistor Module Sink To Sink Type (+24 VDC Input)

- Solid state switching technology allows switching speeds upto 20 MHz
- No physical / mechanical switching operation hence an operation life which is 10⁵ times more than electro mechanical relays.
- Solid state technology ensures 100% switching with absolute no bounce or chatter.
- The transistor coupled with optical isolators ensure a higher isolation level between the input and output.

TECHNICAL DATA

Supply Voltage Indication	3mm Green LED
Signal on Indication	3mm Red LED
Ambient Operating Temperature	-20 to +50 °C
Mounting Possibility	DIN32 / DIN35 / DIN35-15 / PANEL
Housing Material	PVC / V0 Grade
Housing Colour	Green
Switching device	Transistor(NPN)

FUSE SPECIFICATIONS

Fuse Type	Fast Blow
Fuse Rating	0.1, 0.5, 0.63, 1, 2, 3, 4, 5, 6, 6.3 A
Fuse Size	5 x 20 mm

FUSE HOLDER SPECIFICATIONS

Mounting type	Horizontal
Cap Design	Flat
Fuse Size	5 x 20 mm
Rated Current	6.3 A

CONNECTION SPECIFICATIONS

Type of Connection	Screw Connection
Min. Wire Size	0.5 mm ²
Max. Wire Size	2.5 mm ²
Min. Wire Size(AWG)	30 AWG
Max. Wire Size(AWG)	14 AWG
Wire Stripping Length	8.3 mm
Torque	0.5 Nm
Torque	4.5 lb-in

ORDERING INFORMATION

CAT. NO.	DESCRIPTION	NO. OF CHN.	DIM. DET.	STD. PACK
IMTR8/24N/2 4N	8CH (-24VDC Input) Transistor Module (Sink to Sink Type) Rail Mount	8	111 X 88 x 65	1

ACCESSORIES

IMAGES	CAT. NO.	DESCRIPTION	STD. PACK
	CA501-1M	Din 32 Rail unslotted 1 meter	50

ACCESSORIES

IMAGES	CAT. NO.	DESCRIPTION	STD. PACK
	CA501-1M-S	Din 32 Rail slotted 1 meter	50
	CA501-2M	Din 32 Rail unslotted 2 meter	50
	CA501-2M-S	Din 32 Rail slotted 2 meter	50

	CA701-1M	Din 35 Rail unslotted 1 meter	50
	CA701-2M	Din 35 Rail unslotted 2 meter	50
	CA701-2M-S	Din 35 Rail slotted 2 meter	50
	CA701-1M-S	Din 35 Rail slotted 1 meter	50

	CA701-15-1M	Din 35 Rail 15 deep unslotted 1 meter	50
	CA701-15-1M-S	Din 35 Rail 15 deep slotted 1 meter	50
	CA701-15-2M	Din 35 Rail 15 deep unslotted 2 meter	50
	CA701-15-2M-S	Din 35 Rail 15 deep slotted 2 meter	50

	CA509/K2	Marking Tag Blank suitable for CDL4U / CDL4U(I.S) / CTL2.5U / CTL2.5UH / CTL2.5UL / CTL2.5HUL / CTL2.5U(I.S) / CTL2.5U(I.S)D2 / CGMT4 / CSFL4U / CSFL4U(L) / CMT4 / CMB4 / ASF4 / ASF4(L) / CTS2.5()	100
--	----------	---	-----

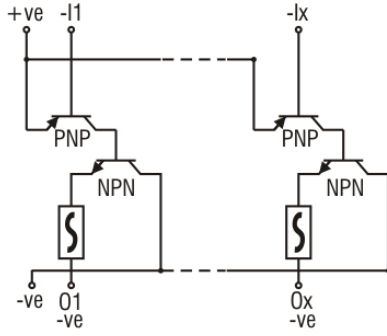
	SCS0.5/3	Electricians Screwdriver for slotted screws	10
--	----------	---	----

IMTR_{xx}/24N/2
4N



CIRCUIT DIAGRAM

IMTR_{Fx}/24N/24N



Transistor Module
Sink to Sink type with Fuse