

IMTRFxx/24N/ 24N



connectwell
THE RIGHT CONNECTION

Transistor Module Sink To Sink Type With Fuse Protection (-24 VDC Input)

- Solid state switching technology allows switching speeds upto 20 MHz
- No physical / mechanical switching operation hence an operation life which is 10⁵ times more than electro mechanical relays.
- Solid state technology ensures 100% switching with absolute no bounce or chatter.
- The transistor coupled with optical isolators ensure a higher isolation level between the input and output.
- Option of fuse protection at output side.

TECHNICAL DATA

| | |
|-------------------------------|----------------------------------|
| Supply Voltage Indication | 3mm Red LED |
| Signal on Indication | 3mm Green LED |
| Ambient Operating Temperature | -20 to +50 °C |
| Mounting Possibility | DIN32 / DIN35 / DIN35-15 / PANEL |
| Housing Material | PVC / V0 Grade |
| Housing Colour | Green |
| Switching device | Transistor(NPN) |

FUSE SPECIFICATIONS

| | |
|-------------|---|
| Fuse Type | Fast Blow/Slow Blow |
| Fuse Rating | 0.1, 0.5, 0.63, 1, 2, 3, 4, 5, 6, 6.3 A |
| Fuse Size | 5 x 20 mm |

RELAY INPUT / COIL SPECIFICATIONS

| | |
|---------------------------|---------|
| Nominal Operating Voltage | -24 VDC |
|---------------------------|---------|

FUSE HOLDER SPECIFICATIONS

| | |
|---------------|------------|
| Mounting type | Horizontal |
| Cap Design | Flat |
| Fuse Size | 5 x 20 mm |
| Rated Current | 6.3 A |

CONNECTION SPECIFICATIONS

| | |
|-----------------------|---------------------|
| Type of Connection | Screw Connection |
| Min. Wire Size | 0.5 mm ² |
| Max. Wire Size | 2.5 mm ² |
| Min. Wire Size(AWG) | 30 AWG |
| Max. Wire Size(AWG) | 14 AWG |
| Wire Stripping Length | 8.3 mm |
| Torque | 0.5 Nm |
| Torque | 4.5 lb-in |

ORDERING INFORMATION

| CAT. NO. | DESCRIPTION | NO. OF CHN. | DIM. DET. | STD. PACK |
|--------------------|--|-------------|----------------|-----------|
| IMTRF8/24N/ 24N | 8CH (-24VDC Input) Transistor Module (Sink to Sink Type) With Output Fuse Protection Rail | 8 | 111 X 120 x 65 | 1 |

ORDERING INFORMATION

| CAT. NO. | DESCRIPTION | NO. OF CHN. | DIM. DET. | STD. PACK |
|----------|-------------|-------------|-----------|-----------|
| | Mount | | | |

ACCESSORIES

| IMAGES | CAT. NO. | DESCRIPTION | STD. PACK |
|--------|---------------|--|-----------|
| | CA501-1M | Din 32 Rail unslotted 1 meter | 50 |
| | CA501-1M-S | Din 32 Rail slotted 1 meter | 50 |
| | CA501-2M | Din 32 Rail unslotted 2 meter | 50 |
| | CA501-2M-S | Din 32 Rail slotted 2 meter | 50 |
| | CA701-1M | Din 35 Rail unslotted 1 meter | 50 |
| | CA701-2M | Din 35 Rail unslotted 2 meter | 50 |
| | CA701-2M-S | Din 35 Rail slotted 2 meter | 50 |
| | CA701-1M-S | Din 35 Rail slotted 1 meter | 50 |
| | CA701-15-1M | Din 35 Rail 15 deep unslotted 1 meter | 50 |
| | CA701-15-1M-S | Din 35 Rail 15 deep slotted 1 meter | 50 |
| | CA701-15-2M | Din 35 Rail 15 deep unslotted 2 meter | 50 |
| | CA701-15-2M-S | Din 35 Rail 15 deep slotted 2 meter | 50 |
| | CA509/K2 | Marking Tag Blank suitable for CDL4U / CDL4U(I.S) / CTL2.5U / CTL2.5UH / CTL2.5UL / CTL2.5HUL / CTL2.5U(I.S) / CTL2.5U(I.S)D2 / CGMT4 / CSFL4U / CSFL4U(L) / CMT4 / CMB4 / ASF4 / ASF4(L) / CTS2.5(| 100 |
| | SCS0.5/3 | Electricians Screwdriver for slotted screws | 10 |

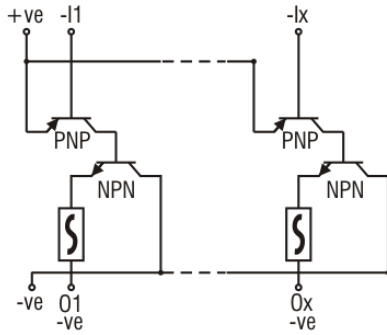
IMTRF_{xx}/24N/
24N



connectwell
THE RIGHT CONNECTION

CIRCUIT DIAGRAM

IMTRF_x/24N/24N



Transistor Module
Sink to Sink type with Fuse