

IMOPTRFxx/2 4P/24P



Opto Transistor Module Source To Source Type With Fuse Protection (+24 VDC Input)

- Solid state switching technology allows switching speeds upto 20 MHz
- No physical / mechanical switching operation hence an operation life which is 10⁵ times more than electro mechanical relays.
- Solid state technology ensures 100% switching with absolute no bounce or chatter.
- The transistor coupled with optical isolators ensure a higher isolation level between the input and output.
- Option of fuse protection at output side.

TECHNICAL DATA

Supply Voltage Indication	3mm Green LED
Signal on Indication	3mm Red LED
Ambient Operating Temperature	-20 to +50 °F
Mounting Possibility	DIN32 / DIN35 / DIN35-15 / PANEL
Housing Material	PVC / V0 Grade
Housing Colour	Green
Load Protection Method	Using 1N4007 Freewheeling Diode
Switching device	Transistor

FUSE SPECIFICATIONS

Fuse Type	Fast Blow
Fuse Rating	0.1, 0.5, 0.63, 1, 2, 3, 4, 5, 6, 6.3 A
Fuse Size	5 x 20 mm

FUSE HOLDER SPECIFICATIONS

Mounting type	Horizontal
Cap Design	Flat
Fuse Size	5 x 20 mm
Rated Current	6.3 A

CONNECTION SPECIFICATIONS

Type of Connection	Screw Connection
Min. Wire Size	0.5 mm ²
Max. Wire Size	2.5 mm ²
Min. Wire Size(AWG)	30 AWG
Max. Wire Size(AWG)	14 AWG
Wire Stripping Length	8.3 mm
Torque	0.5 Nm
Torque	4.5 lb-in

ORDERING INFORMATION

CAT. NO.	DESCRIPTION	NO. OF CHN.	DIM. DET.	STD. PACK
IMOPTRF8/2	8CH (+24VDC Input)	8	111 X 120 X 65	1

ORDERING INFORMATION

CAT. NO.	DESCRIPTION	NO. OF CHN.	DIM. DET.	STD. PACK
4P/24P	Opto Transistor Module (Source to Source Type) With Output Fuse Protection Rail Mount			

ACCESSORIES

IMAGES	CAT. NO.	DESCRIPTION	STD. PACK
	CA501-1M	Din 32 Rail unslotted 1 meter	50
	CA501-1M-S	Din 32 Rail slotted 1 meter	50
	CA501-2M	Din 32 Rail unslotted 2 meter	50
	CA501-2M-S	Din 32 Rail slotted 2 meter	50
	CA701-1M	Din 35 Rail unslotted 1 meter	50
	CA701-2M	Din 35 Rail unslotted 2 meter	50
	CA701-2M-S	Din 35 Rail slotted 2 meter	50
	CA701-1M-S	Din 35 Rail slotted 1 meter	50
	CA701-15-1M	Din 35 Rail 15 deep unslotted 1 meter	50
	CA701-15-1M-S	Din 35 Rail 15 deep slotted 1 meter	50
	CA701-15-2M	Din 35 Rail 15 deep unslotted 2 meter	50
	CA701-15-2M-S	Din 35 Rail 15 deep slotted 2 meter	50
	CA509/K2	Marking Tag Blank suitable for CDL4U / CDL4U(I.S) / CTL2.5U / CTL2.5UH / CTL2.5UL / CTL2.5HUL / CTL2.5U(I.S) / CTL2.5U(I,S)D2 / CGMT4 / CSFL4U / CSFL4U(L) / CMT4 / CMB4 / ASF4 / ASF4(L) / CTS2.5(100
	SCS0.5/3	Electricians Screwdriver for slotted screws	10

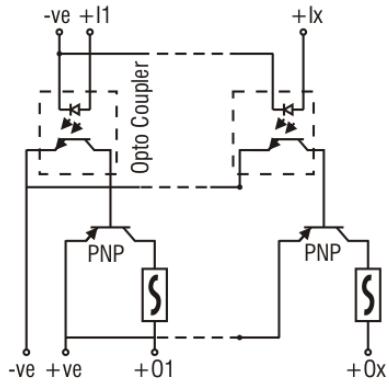
IMOPTRFxx/2
4P/24P



connectwell
THE RIGHT CONNECTION

CIRCUIT DIAGRAM

IMOPTRF_x/24P/24P



OPTO Transistor Module
Source to Source type with Fuse