



Common Cathode DC Lamp Test Module

- Housed in V0 fire retardant grade mounting track.
- Ease of connection with the use of standard screw connection PCB Terminal Blocks.
- Available with individual, common anode and common cathode standard diode configurations.
- Lamp test configurations for DC and AC applications available as standard.
- Mounting options available: DIN Rail mounting & Panel mounting.

TECHNICAL DATA

Ambient Operating Temperature	-20 to 50 °C
Mounting Possibility	DIN32 / DIN35 / DIN35-15 / PANEL
Housing Material	PVC / V0 Grade
Housing Colour	Green

DIODE SPECIFICATIONS

Diode Type	1N4007
Maximum Average Forward Rectified Current	1 A
Maximum DC Blocking Voltage (VDC)	1000 V
Maximum DC Reverse Current at Rated DC Blocking Voltage	500 µA
Maximum Instantaneous Forward Voltage at 1A DC	1.1 V
Maximum Recurrent Peak Reverse Voltage	1000 V

CONNECTION SPECIFICATIONS

Type of Connection	Screw Connection
Min. Wire Size	0.5 mm ²
Max. Wire Size	2.5 mm ²
Min. Wire Size(AWG)	30 AWG
Max. Wire Size(AWG)	14 AWG
Wire Stripping Length	8.3 mm
Torque	0.5 Nm
Torque	4.5 lb-in

ORDERING INFORMATION

CAT. NO.	DESCRIPTION	NO. OF CHN.	DIM. DET.	STD. PACK
IMDLT/DC/C K/5	5 Channel Common Cathode DC Lamp Test Module Rail Mount	5	36 X 88 X 51	1
IMDLT/DC/C K/8	8 Channel Common Cathode DC Lamp Test Module Rail Mount	8	54 X 88 X 51	1
IMDLT/DC/C K/10	10 Channel Common Cathode DC Lamp Test Module Rail Mount	10	65 X 88 X 51	1

ORDERING INFORMATION

CAT. NO.	DESCRIPTION	NO. OF CHN.	DIM. DET.	STD. PACK
IMDLT/DC/C K/12	12 Channel Common Cathode DC Lamp Test Module Rail Mount	12	73 X 88 X 51	1

ACCESSORIES

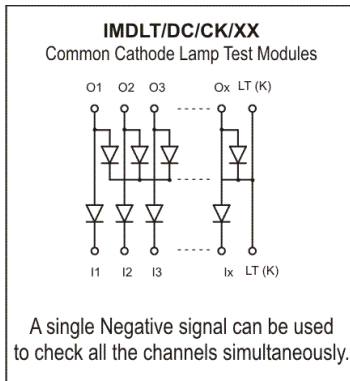
IMAGES	CAT. NO.	DESCRIPTION	STD. PACK
	CA501-1M	Din 32 Rail unslotted 1 meter	50
	CA501-1M-S	Din 32 Rail slotted 1 meter	50
	CA501-2M	Din 32 Rail unslotted 2 meter	50
	CA501-2M-S	Din 32 Rail slotted 2 meter	50
	CA701-1M	Din 35 Rail unslotted 1 meter	50
	CA701-2M	Din 35 Rail unslotted 2 meter	50
	CA701-2M-S	Din 35 Rail slotted 2 meter	50
	CA701-1M-S	Din 35 Rail slotted 1 meter	50
	CA701-15-1M	Din 35 Rail 15 deep unslotted 1 meter	50
	CA701-15-1M-S	Din 35 Rail 15 deep slotted 1 meter	50
	CA701-15-2M	Din 35 Rail 15 deep unslotted 2 meter	50
	CA701-15-2M-S	Din 35 Rail 15 deep slotted 2 meter	50
	CA509/K2	Marking Tag Blank suitable for CDL4U / CDL4U(I,S) / CTL2.5U / CTL2.5UH / CTL2.5UL / CTL2.5HUL / CTL2.5U(I,S) / CTL2.5U(I,S)D2 / CGMT4 / CSFL4U / CSFL4U(L) / CMT4 / CMB4 / ASF4 / ASF4(L) / CTS2.5	100
	SCS0.5/3	Electricians Screwdriver for slotted screws	10

IMDLT/DC/CK
/xx



connectwell
THE RIGHT CONNECTION

CIRCUIT DIAGRAM



NOTES

- * Module Lengths mentioned are for RAIL Mounting option only. The lengths may vary for PANEL Mounting
- ** PANEL Mounting relay modules are available on request. Please use the suffix -P with the cat. no. for ordering.