

CR-II



**connectwell**  
THE RIGHT CONNECTION

**connectwell**  
THE RIGHT CONNECTION

CR-II



**SURGE PROTECTION DEVICE - SPD Class I / Class B**

SPD are designed to protect electrical installations, requiring a device for each phase. The installation should be made after the circuit breakers in the distribution panel, protect the input and the distribution network. Plug-In system, the product consists of module and base, which makes it easy to maintain in case of replacement. It allows mounting in monopolar set, bipolar, tripolar and quadropole. Modules have Status Signaling: Green; in use Red; replace Main features:

Base with remote sinalization with 1CO contact. Module encapsulated with anti-flame epoxy resin, shielded internally, avoiding the arc. double Disarm (mechanical and thermal) ensuring greater security protection. Fit on DIN35 rail.

**TECHNICAL DATA**

Ratings as per Class I	NBR/IEC 61643-1
Ratings as per Class B	VDE 0675

**CONNECTION DATA**

Conductor Cross Section Stranded min.	4 mm <sup>2</sup>
Conductor Cross Section Stranded max.	25 mm <sup>2</sup>
Conductor Cross Section Stranded in AWG/Kcmil min	12 AWG
Conductor Cross Section Stranded in AWG/Kcmil max	2 AWG
Conductor Cross Section Solid min	6 mm <sup>2</sup>
Conductor Cross Section Solid max	35 mm <sup>2</sup>
Conductor Cross Section Solid in AWG/Kcmil min	10 AWG
Conductor Cross Section Solid in AWG/Kcmil max	2 AWG
Remote Indication Control Conductor Cross Section Stranded min.	0.5 mm <sup>2</sup>
Remote Indication Control Conductor Cross Section Stranded max.	1.5 mm <sup>2</sup>
Remote Indication Control Conductor Cross Section Stranded in AWG/Kcmil min	24 AWG
Remote Indication Control Conductor Cross Section Stranded in AWG/Kcmil max	16 AWG
Type of Connection for Module	Sistema Plug-in
Type of Connection for Base	Parafuso com 2 terminais
Wire Stripping Length	9 mm

**DIMENSIONS**

Module Dimensions	L=17,5 x P=45 x A=47 mm
Module + Socket Height with DIN 35 x 7,5/15 Rail	69 / 76,5 mm

**SURGE SUPPRESSOR SPECIFICATIONS**

Response Time	<25 nsec
Ambient Temperature	-40...+60 °C
Housing Insulation Material (Module & Socket)	Poliamida 6.6 - Grau UL94V-0
Ingress Protection Grade	IP-20
Rating of back-up fuse	100 A

**APPROVALS**



**ACCESSORIES**

IMAGES	CAT. NO.	DESCRIPTION	STD. PACK
	CA701-1M	Din 35 Rail unslotted 1 meter	50
	CA701-2M	Din 35 Rail unslotted 2 meter	50
	CA701-2M-S	Din 35 Rail slotted 2 meter	50
	CA701-1M-S	Din 35 Rail slotted 1 meter	50

CR-II

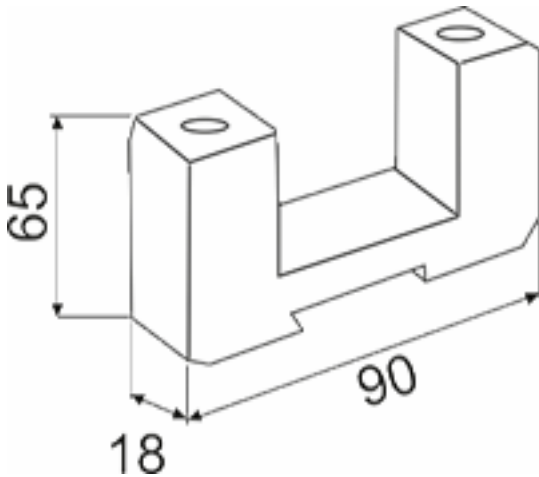


**connectwell**  
THE RIGHT CONNECTION

ACCESSORIES

IMAGES	CAT. NO.	DESCRIPTION	STD. PACK
	CA701-15-1M	Din 35 Rail 15 deep unslotted 1 meter	50
	CA701-15-1M-S	Din 35 Rail 15 deep slotted 1 meter	50
	CA701-15-2M	Din 35 Rail 15 deep unslotted 2 meter	50
	CA701-15-2M-S	Din 35 Rail 15 deep slotted 2 meter	50
	CA702	End Clamp in Polyamide 66 suitable for Din 32 / Din 35 / Din 35-15 Rails	50
	CA802	End Clamp in Polyamide suitable for Din 35 / Din 35-15 Rails	50
	CA509/K2	Marking Tag Blank suitable for CDL4U / CDL4U(I,S) / CTL2.5U / CTL2.5UH / CTL2.5UL / CTL2.5HUL / CTL2.5U(I,S) / CTL2.5U(I,S)D2 / CGMT4 / CSFL4U / CSFL4U(L) / CMT4 / CMB4 / ASF4 / ASF4(L) / CTS2.5(	100
	SCPH2	Phillips Screwdriver for Phillips Recess screws	10
	SCS0.6/3.5	Electricians Screwdriver for slotted screws	10

PRODUCT DIAGRAM



CR-II



**connectwell**  
THE RIGHT CONNECTION

ORDERING INFORMATION...

CAT. NO.	DESCRIPTION	STD. PACK	Disarm Voltage Uc	Protetion Level Up	Rated Voltage Um	Rated Currente 8/20us
CR0-20	PROTECTION DEVICE AGAINST OUTBREAK - DPS Class I / Class B	1	150VCA	<0.7KV	neutro	20kA
CR1-20	PROTECTION DEVICE AGAINST OUTBREAK - DPS Class I / Class B	1	175VCA	<0.7KV	127VCA	20kA
CR2-20	PROTECTION DEVICE AGAINST OUTBREAK - DPS Class I / Class B	1	275VCA	<0.9KV	227VCA	20kA
CR3-20	PROTECTION DEVICE AGAINST OUTBREAK - DPS Class I / Class B	1	385VCA	<1.5KV	380VCA	20kA
CR4-20	PROTECTION DEVICE AGAINST OUTBREAK - DPS Class I / Class B	1	485VCA	<1.6KV	440VCA	20kA
CR0-30	PROTECTION DEVICE AGAINST OUTBREAK - DPS Class I / Class B	1	150VCA	<0.7KV	neutro	30kA
CR1-30	PROTECTION DEVICE AGAINST OUTBREAK - DPS Class I / Class B	1	175VCA	<0.7KV	127VCA	30kA
CR2-30	PROTECTION DEVICE AGAINST OUTBREAK - DPS Class I / Class B	1	275VCA	<0.9KV	227VCA	30kA
CR3-30	PROTECTION DEVICE AGAINST OUTBREAK - DPS Class I / Class B	1	385VCA	<1.5KV	380VCA	30kA
CR4-30	PROTECTION DEVICE AGAINST OUTBREAK - DPS Class I / Class B	1	485VCA	<1.6KV	440VCA	30kA
CR0-45	PROTECTION DEVICE AGAINST OUTBREAK - DPS Class I / Class B	1	150VCA	<0.7KV	neutro	45kA
CR1-45	PROTECTION DEVICE AGAINST OUTBREAK - DPS Class I / Class B	1	175VCA	<0.7KV	127VCA	45kA
CR2-45	PROTECTION DEVICE AGAINST OUTBREAK - DPS Class I / Class B	1	275VCA	<0.9KV	227VCA	45kA
CR4-45	PROTECTION DEVICE AGAINST OUTBREAK - DPS Class I / Class B	1	485VCA	<1.6KV	440VCA	45kA